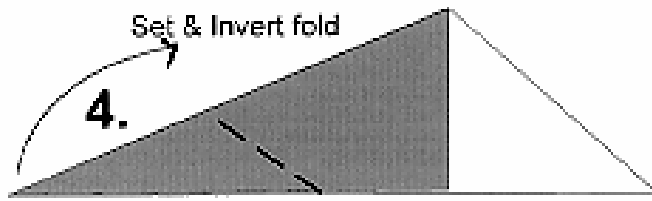
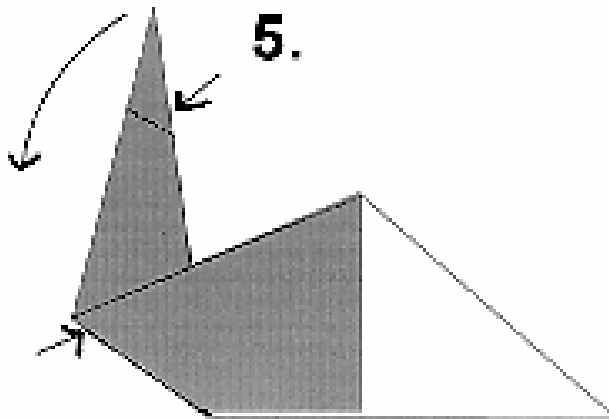


What did you say? (1)



Step 4

Fold the narrow point upward at 90-degrees.
This is the swan's neck.
Make a crease.
Invert the fold so the neck is inside the body.

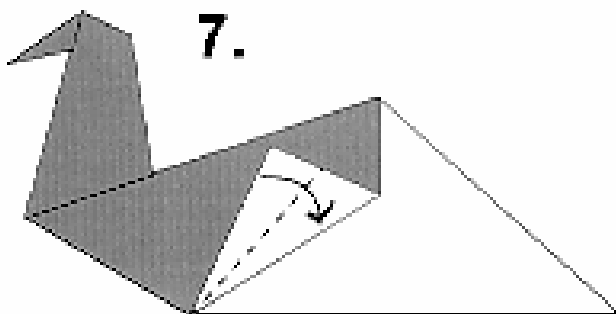
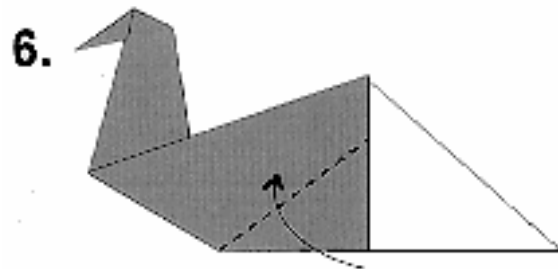


Step 5

Fold the point downward.
This is the swan's head.
Make a crease.
Invert the fold so the head is inside the neck.

Step 6

Fold up the flap.
This is the wing.



Step 7

Fold half of the flap back down.
Well done! You've made a swan!

Are you ready?
Are you with me?
Are you OK?
OK so far?
Do you get it?
Do you follow me?
Do you understand?

What did you say?
One more time, please.
Say it again, please.
I don't understand.
I don't get it.
Like this?
Is this OK?